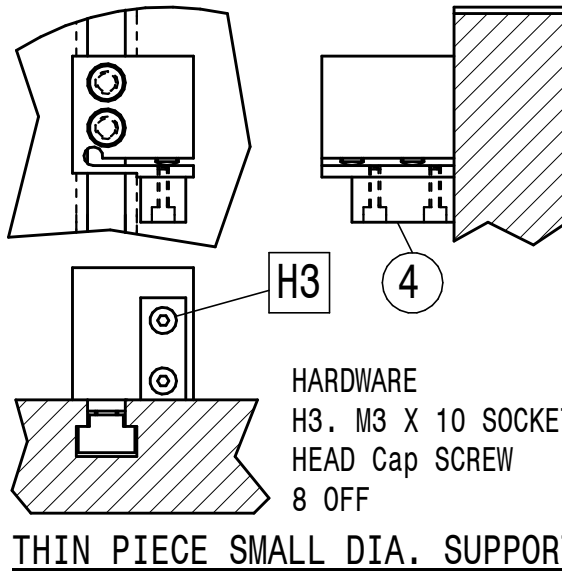
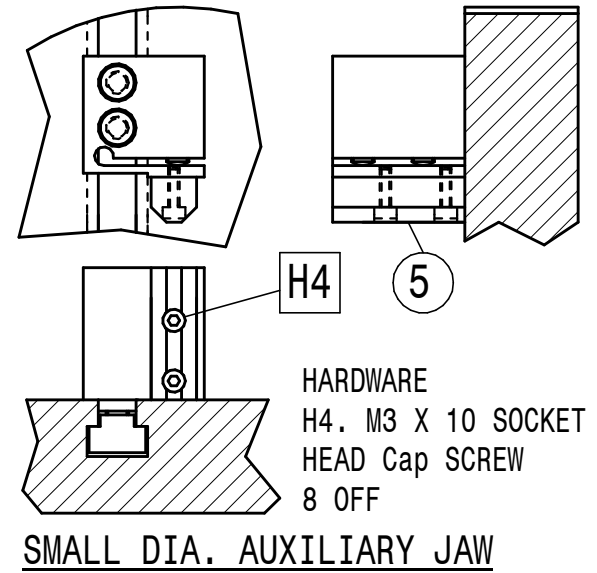


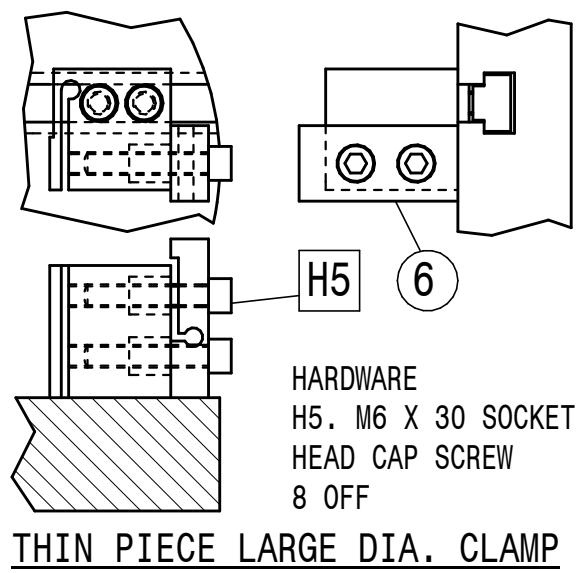
HARDWARE
 H1 M6 X 40 SOCKET HEAD CAP SCREW 8 OFF
 H2 M6 X 20 SOCKET HEAD CAP SCREW 8 OFF
ALTERNATIVE FOUR JAW CHUCK



THIN PIECE SMALL DIA. SUPPORT



SMALL DIA. AUXILIARY JAW



THIN PIECE LARGE DIA. CLAMP