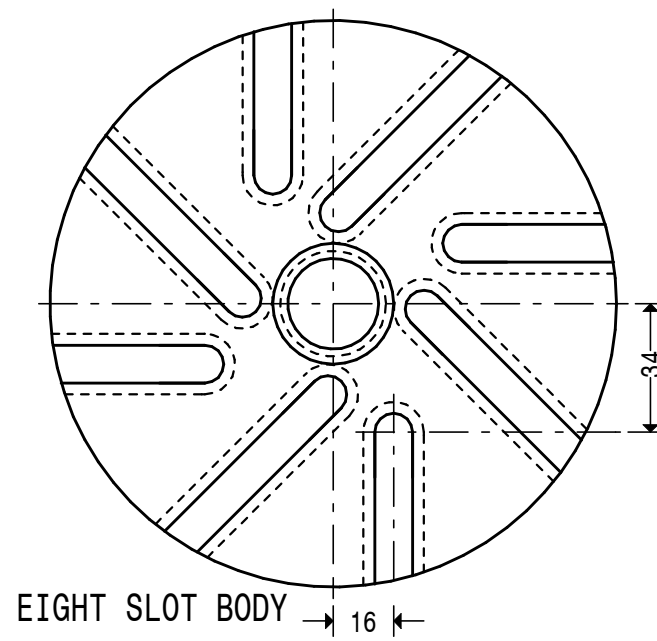
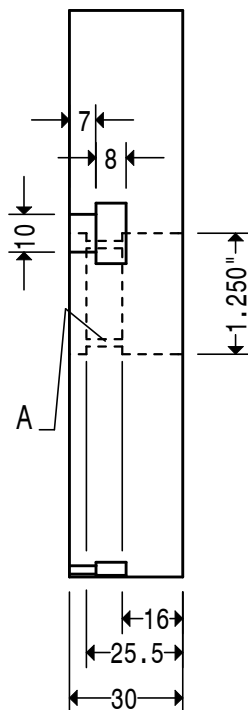


FOUR SLOT BODY → 16 ←

A. 1-1/8" X 12 TPI. WHITWORTH FORM THREAD THE SPINDLE NOSE DIMENSIONS ARE FOR A MYFORD SERIES SEVEN MODIFY, IF REQUIRED, FOR OTHER LATHES.

MATERIAL 150mm DIAMETER CAST IRON BAR



EIGHT SLOT BODY → 16 ←

ADDITIONAL T SLOTS WILL INCREASE THE RANGE OF TASKS POSSIBLE TO BE UNDERTAKEN BEYOND THAT OF A BASIC FOUR JAW CHUCK.

BODY 1