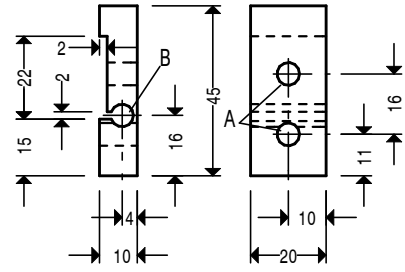
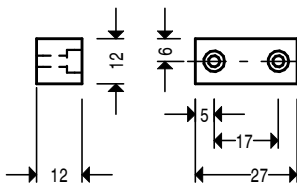


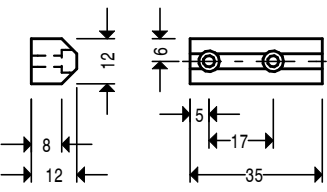
HOLES M6  
 MATERIAL 25 X 10 STEEL 070M20  
 QTY 4 OFF  
T NUTS 3



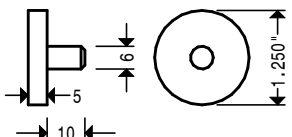
HOLES A 6.2 B 5  
 MATERIAL 20 X 10 STEEL 070M20 QTY 4 OFF  
THIN PIECE LARGER DIA. CLAMP 6



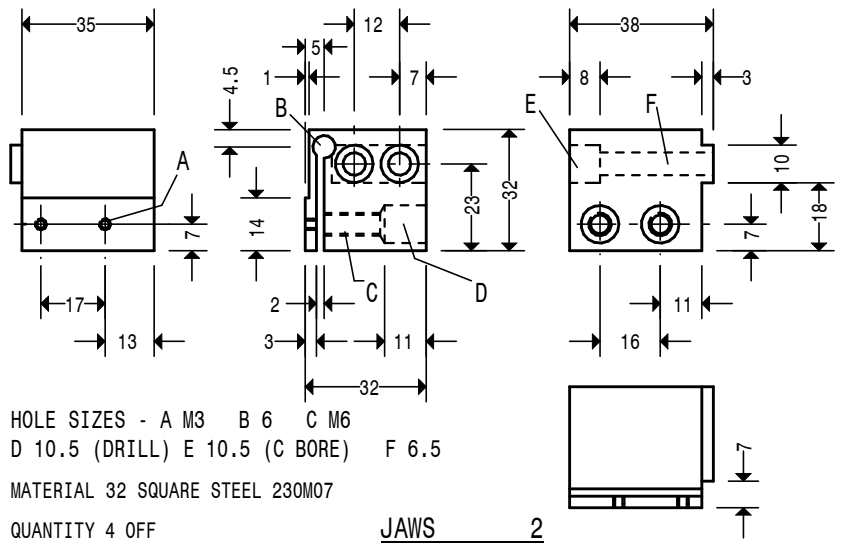
HOLES 3.5 CB 6 X 4 DEEP  
 MATERIAL 12 SQUARE STEEL 230M07  
 QTY 4 OFF  
THIN PIECE, SMALLER DIA. SUPPORT 4



HOLES 3.5 CB 6 X 4 DEEP  
 CHAMFER 45°  
 MATERIAL 12 SQUARE STEEL 230M07  
 QTY 4 OFF  
SMALL DIA. AUXILIARY JAW 5



TWO DIAMETERS MUST BE CONCENTRIC  
 MATERIAL 32 DIA. STEEL 230M07  
 QUANTITY 1 OFF. SETTING PIN 7



HOLE SIZES - A M3 B 6 C M6  
 D 10.5 (DRILL) E 10.5 (C BORE) F 6.5  
 MATERIAL 32 SQUARE STEEL 230M07  
 QUANTITY 4 OFF  
JAWS 2