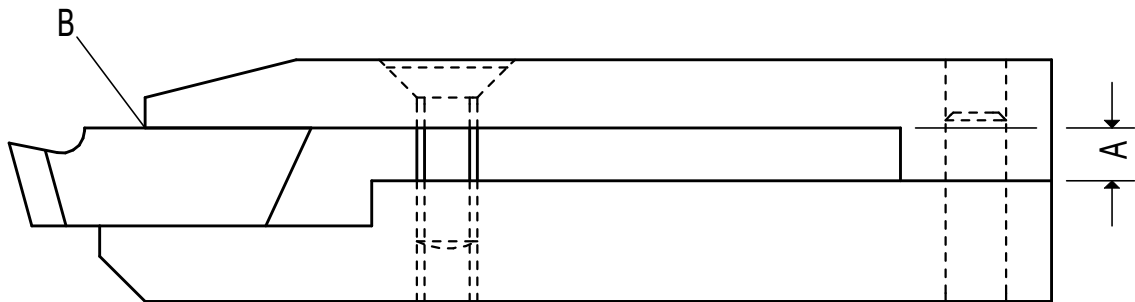
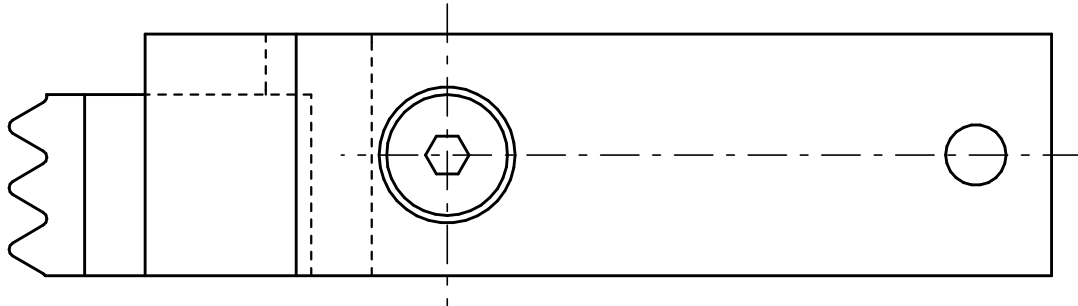


CHASER

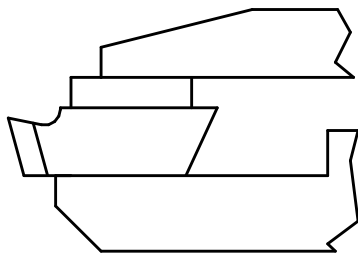
Sk. 1



NOTES.

1. SCREW, M4 X 12 SOCKET COUNTERSINK SCREW
2. MAKE HEIGHT AT "A" SUCH THAT THE CLAMP CONTACTS THE CHASER AT "B". THE DIFFERENCE IN HEIGHT SHOULD THOUGH ONLY BE ABOUT 0.5MM.
3. THE DIMENSIONS ARE FOR A 1/4" THICK CHASER. FOR THINNER CHASERS, ADD A PACKING PIECE AS SHOWN IN SK. 3. FOR LARGER CHASERS THE DIMENSIONS WILL HAVE TO BE CHANGED TO SUIT.

Sk. 2



Sk. 3