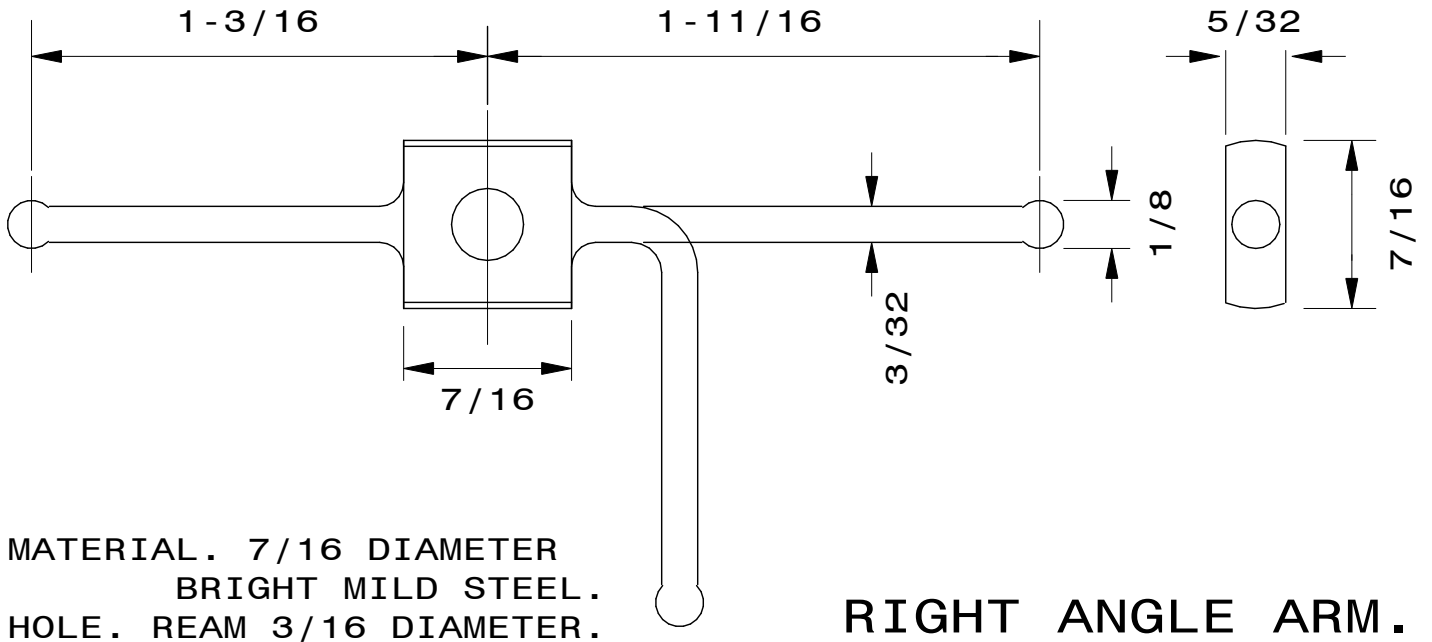
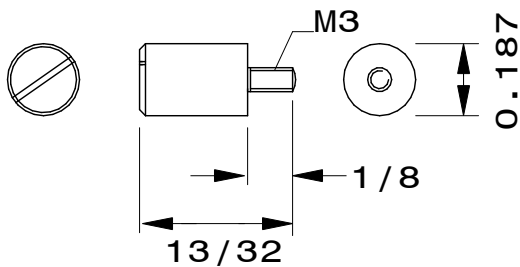


MATERIAL. 7/16 DIAMETER BRIGHT MILD STEEL.
 HOLE. REAM 3/16 DIAMETER. **STRAIGHT ARM.**



MATERIAL. 7/16 DIAMETER BRIGHT MILD STEEL.
 HOLE. REAM 3/16 DIAMETER. **RIGHT ANGLE ARM.**



MATERIAL.
 1/4 INCH DIAMETER BRIGHT MILD STEEL.

PIVOT PIN.