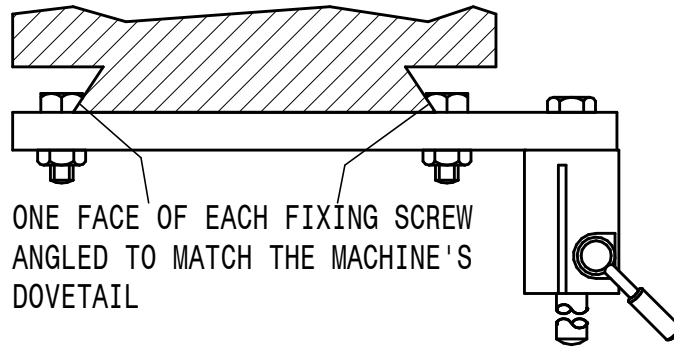


ROUND COLUMN MILLING MACHINE

DOVE-TAILED COLUMN MILLING MACHINE



ONE FACE OF EACH FIXING SCREW
ANGLED TO MATCH THE MACHINE'S
DOVETAIL

SUGGESTED METHODS FOR ADDING A
FIXED MOUNT TO THE COLUMN OF A
MILLING MACHINE

SK. 1