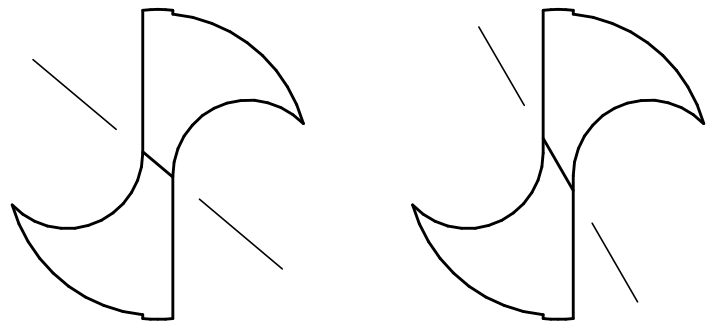


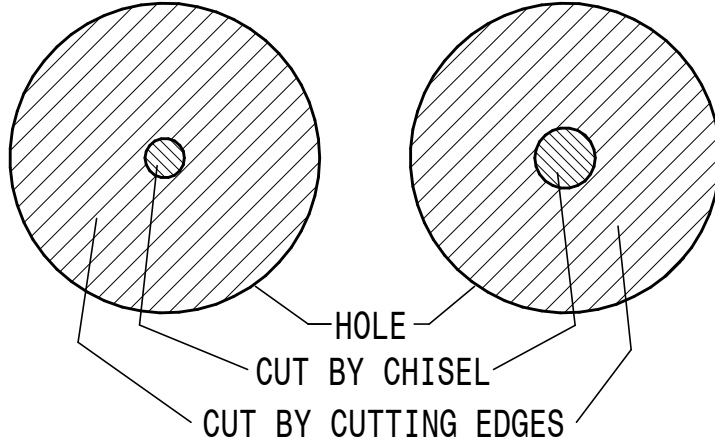
SHORT DRILL EXTENSION
GIVES MORE CLEARANCE

SK. 1



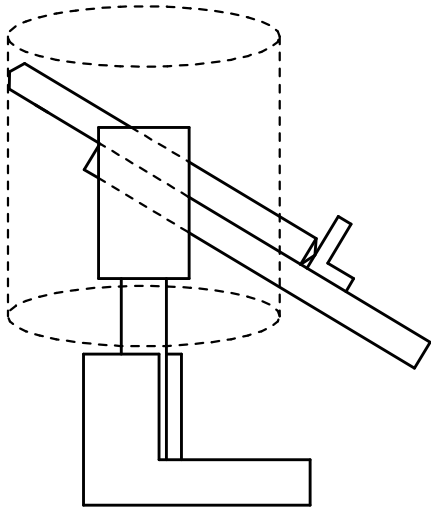
CORRECT CLEARANCE

INCREASED CLEARANCE



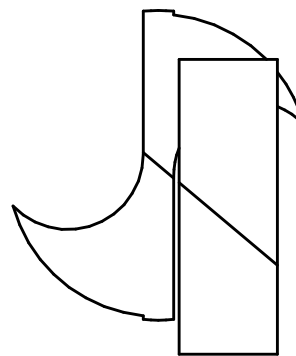
EFFECT OF DRILL CLEARANCE
ON CHISEL ANGLE

SK. 4



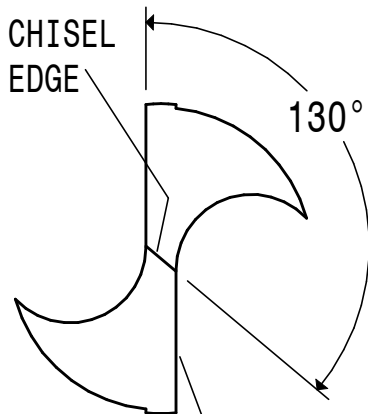
LARGE DRILL EXTENSION GIVES
LESS (FLATTER) CLEARANCE

SK. 2



CHISEL ANGLE
GAUGE

SK. 5

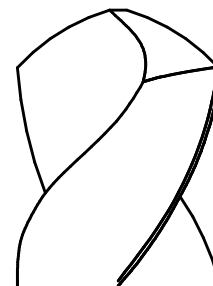


CHISEL
EDGE

130°

CUTTING LIP

SK. 3



DOMED POINT

SK. 6