
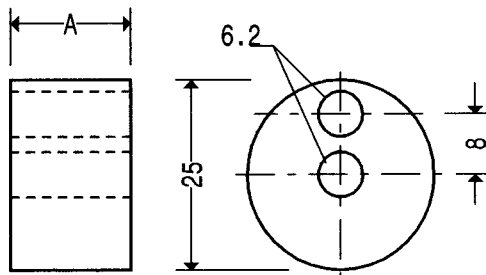

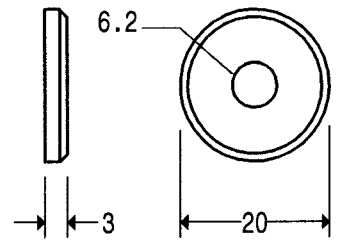



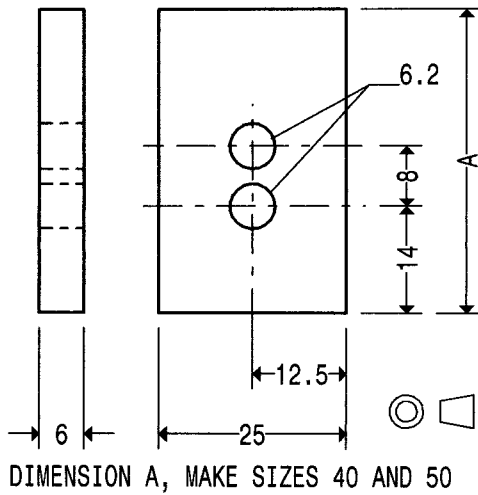
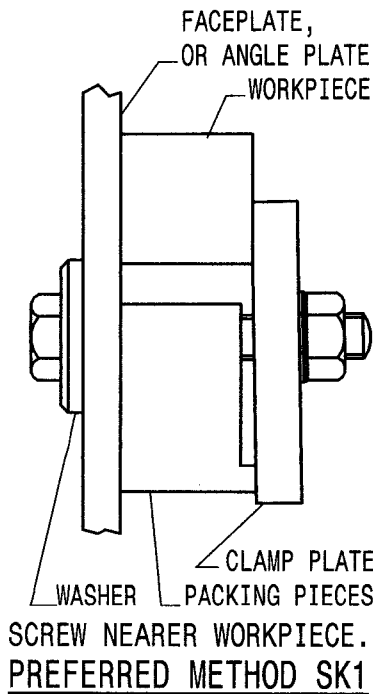
DIMENSION A, MAKE SIZES 3, 9 AND 15
 MATERIAL 25 DIAMETER STEEL 230M07
 QTY 3 OFF EACH SIZE MINIMUM 
PACKING PIECES




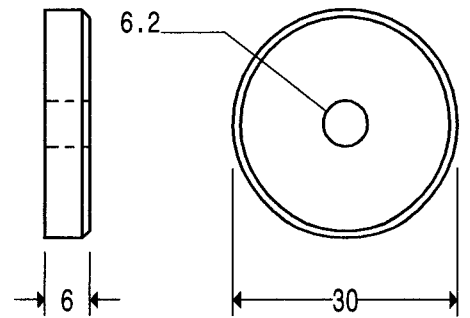
DIMENSION A, MAKE SIZES 2, 4, 6 & 14
 MATERIAL 25 DIAMETER STEEL 230M07
 QTY 3 OFF EACH SIZE MINIMUM 
HEIGHT INCREASING BUSH




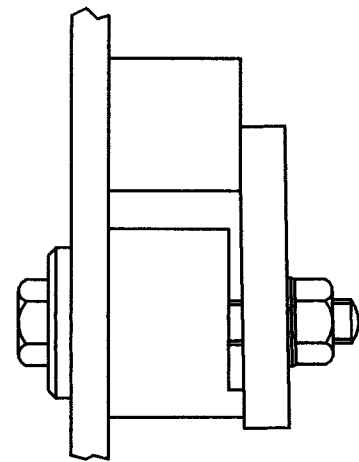
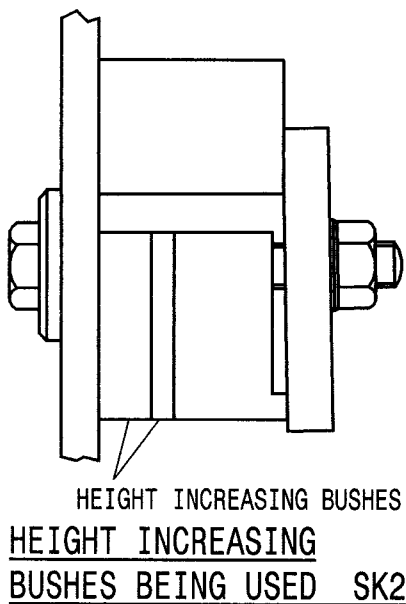
MATERIAL 20 DIAMETER STEEL 230M07
 QUANTITY 8 MINIMUM 
CLAMP SCREW WASHER



DIMENSION A, MAKE SIZES 40 AND 50
 MATERIAL 25 X 6 STEEL 070M20
 QTY 4 OFF EACH SIZE MINIMUM 
CLAMPS PLATES



MATERIAL 30 DIAMETER STEEL 230M07
 QUANTITY AS REQUIRED 
WIDE SLOT WASHER



ONLY TO BE USED WHERE SLOTS IN THE FACEPLATE DO NOT PERMIT SCREW TO BE CLOSER, AND THEN ONLY FOR LIGHT DUTY APPLICATIONS OR AS A BACKUP TO CLAMPS MOUNTED AS PER THE PREFERRED METHOD.
NON PREFERRED METHOD SK3

FACE PLATE CLAMPS