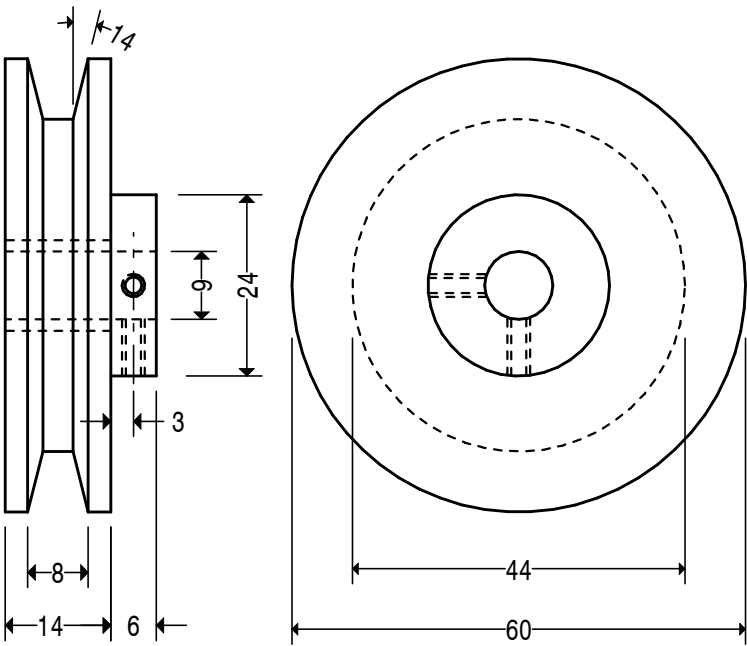


HOLES M3 X 8 DEEP 8 OFF
 MATERIAL 45 DIA. STEEL 230M07
 QTY 1 OFF

DRIVE SPINDLE BODY

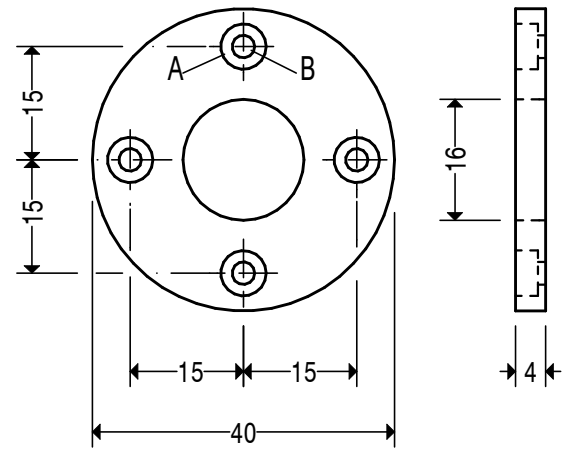
23



HOLES M4 2 OFF MATL. 60 DIA. ALUMINIUM 2011T6
 QTY. 1 OFF
 WIDTH OF GROVE MUST SUIT DRIVE BELT BEING USED
 WHICH SHOULD ONLY CONTACT THE SIDES OF THE GROVE
 TO ENSURE SUFFICIENT GRIP.
 DIMENSIONS GIVEN SUIT A BELT HAVING A NOMINAL
 8 MM DIAMETER.

DRIVE SPINDLE PULLEY

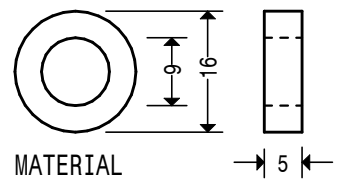
25



HOLES
 A. CB FOR M3 CAP HEAD SCREW 4 OFF
 B. 3.5
 MATERIAL 45 DIA STEEL 230M07
 QTY 1 OFF

OUTER CLAMP RING

24



MATERIAL 20 DIA STEEL 230M07
 QTY 1 OFF

INNER CLAMP RING 21