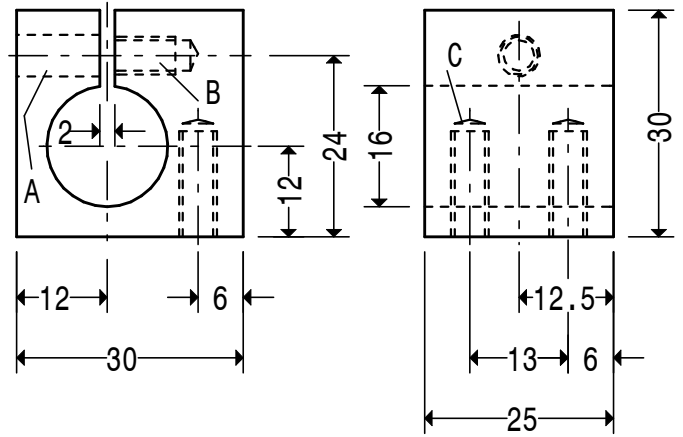
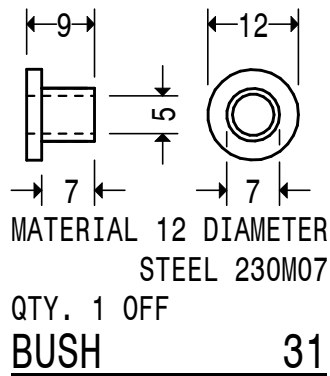
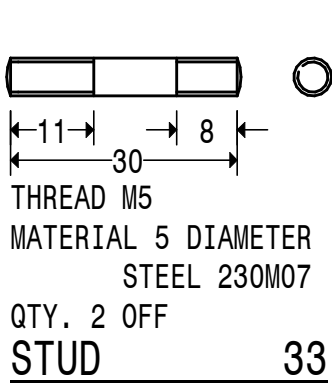

 MATERIAL 12 DIA.
 STEEL 230M07
 QTY. 1 OFF
SPACER 32

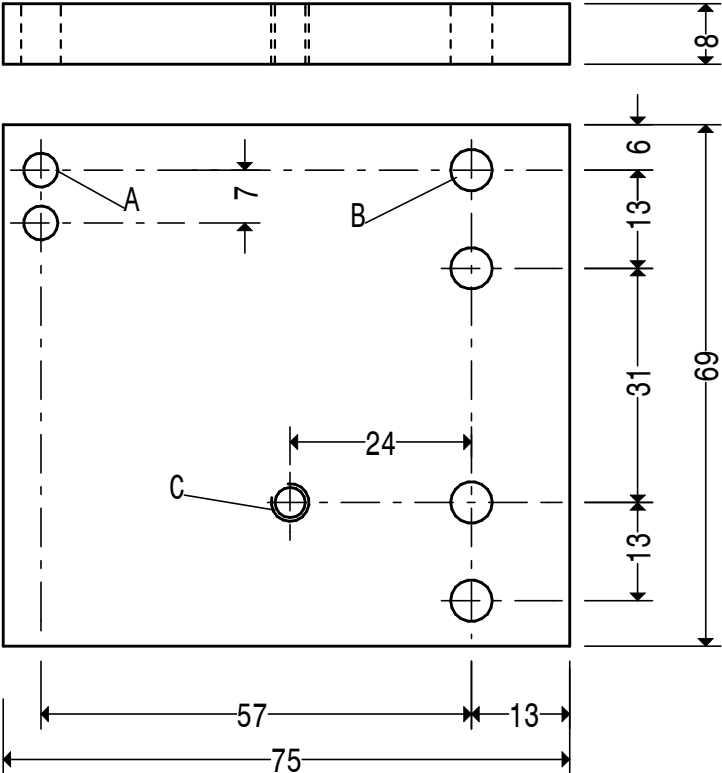
HOLES A. CB FOR M5 CAP SCREW 2 OFF B. 5.5 2 OFF C. M4 2 OFF
 D. M4 2 OFF E. M5 X 12 DEEP
 MATERIAL 25 X 10 STEEL 070M20 QTY 1 OFF

UPPER PLATE

36

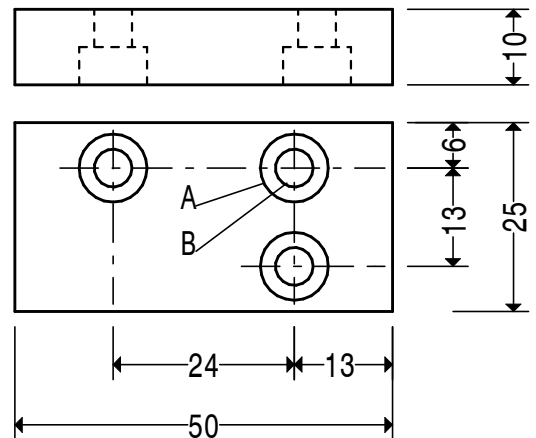


HOLES
 A. 5.5 B. M5 X 8 DEEP C. M5 X 14 DEEP
 MATERIAL 35 SQ.CAST IRON QTY 2 OFF
SLIDER BLOCK 34



HOLES A. 4.5 2 OFF B. 5.5 4 OFF C. M5 1 OFF
 MATERIAL 75 X 8 STEEL 070M20 QTY 1 OFF

OSCILLATING ASSEMBLY PLATE 35



HOLES
 A. CB FOR M5 CAP SCREW 3 OFF
 B. 5.5 3 OFF
 MATERIAL 25 X 10 STEEL 070M20
 QTY 1 OFF

LOWER PLATE 37