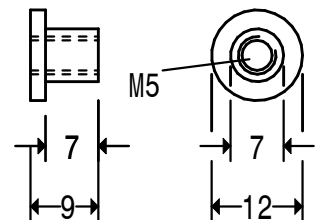


HOLES A. CB FOR M6 CAP HEAD SCREW B. 6 C. 4.5
 MATERIAL 60 DIA STEEL 230M07 QTY. 1 OFF

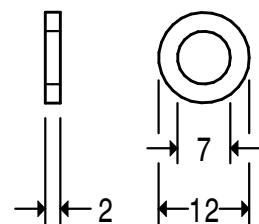
BODY **51**



MATERIAL 12 DIAMETER
 STEEL 230M07

QTY. 1 OFF

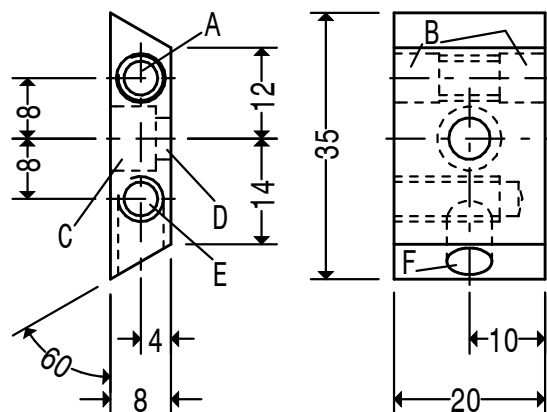
BUSH **55**



MATERIAL 12 DIAMETER
 STEEL 230M07

QTY. 1 OFF

SPACER **54**

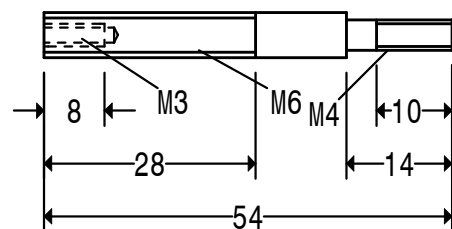


HOLES

- A. M6 1 OFF
- B. CB 6.1 DIA X 6 DEEP
- C. CB FOR M5 CAP HEAD SCREW
- D. 5.5
- E. M6 X 14 DEEP
- F. 6.1

MATERIAL 20 X 8 STEEL 070M20
 QTY. 1 OFF

BEARING CARRIER **52**



MATERIAL 6 DIA STEEL 230M07
 QTY. 1 OFF

FEED SCREW **53**