

HOLES

A. M4

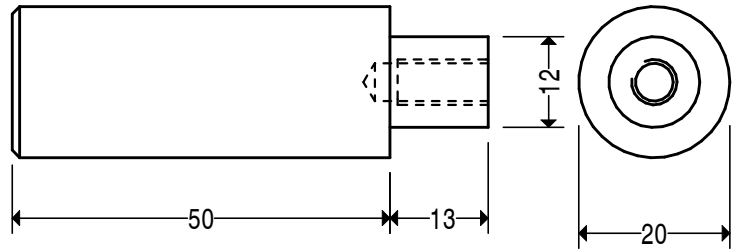
B. CB FOR M4 CAP SCREW 12 DEEP

C. 4.5

MATL. 25 X 10 STEEL 070M20

QTY. 2 OFF

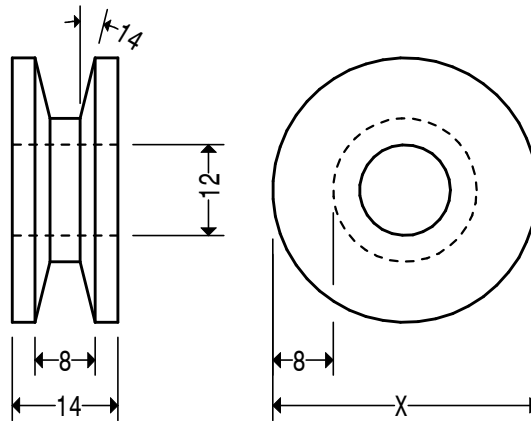
**CLAMP PLATE SUPPORT 77**



HOLE M6 X 12 DEEP

MATL. 20 DIA. STEEL 230M07 QTY. 1 OFF

**DRIVE INPUT SPINDLE 74**



MATL. ALUMINIUM 2011T6

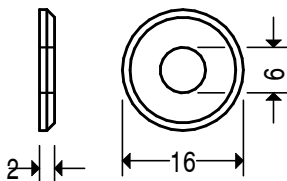
DIAMETER DEPENDANT ON PULLEY SIZE

NOTE X. SEE TEXT REGARDING SIZE

QTY. 1 OFF

SEE PART 25 FOR MORE DETAIL

**DRIVE SPINDLE PULLEY 73**



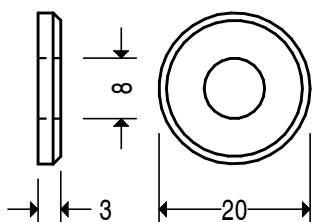
MATERIAL

16 DIA. STEEL 230M07

QTY. 1 OFF

**PULLEY RETAINING**

**WASHER 72**



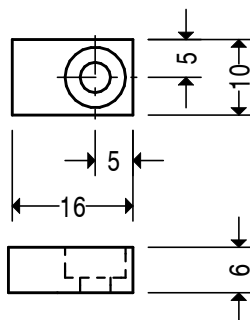
MATERIAL

20 DIA. STEEL 230M07

QTY. 2 OFF

**BOTTOM PLATE**

**WASHER 71**



HOLES A. M4

B. CB FOR M4 CAP SCREW

C. 4.5

MATL. 25 X 10 STEEL 070M20

QTY. 2 OFF

**CLAMP PLATE SUPPORT 77**