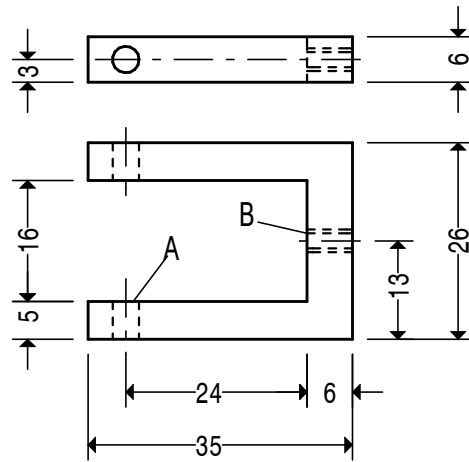
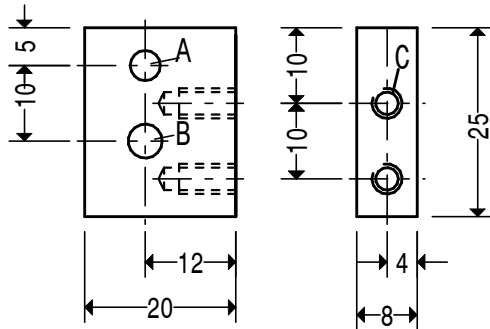


HOLES 4.5 2 OFF
 MATERIAL
 10 X 2 STEEL 070M20
 QTY 1 OFF
CLAMP PLATE 41

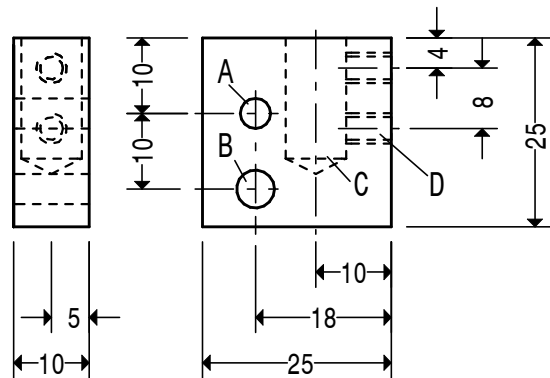


HOLES A. 3.3 2 OFF
 B. M3 1 OFF
 MATERIAL 35 X 6 STEEL 070M20
 QTY 1 OFF

UPPER FILE CLAMP 43



HOLES A. 4 1 OFF
 B. 5 1 OFF
 C. M4 X 7 DEEP 2 OFF
 MATERIAL 25 X 8 STEEL 070M20
 QTY 1 OFF
FILE ADJUSTER 45



HOLES A. 4 1 OFF B. 5 1 OFF
 C. 8 x 16 DEEP 1 OFF
 D. M4 2 OFF
 MATERIAL 25 SQ STEEL 230M07
 QTY 1 OFF
FILE HOLDER 46