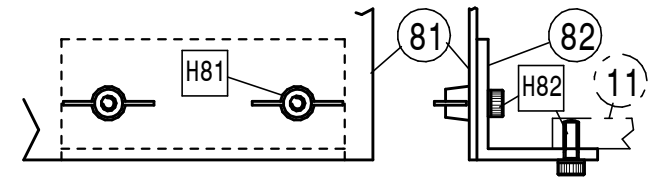
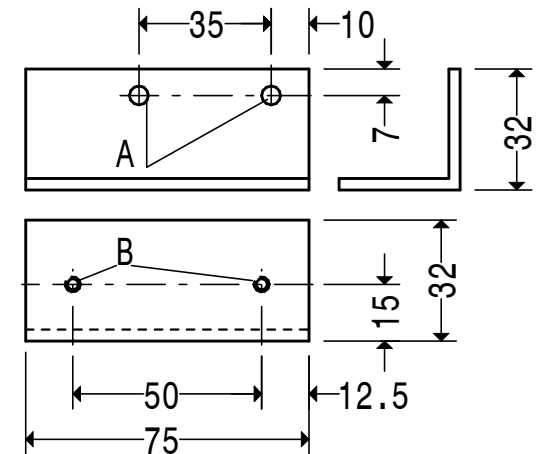


HOLES
 A. 4.5 2 OFF
 MATERIAL
 1.5MM THICK
 SHEET STEEL
 QTY 1 OFF

GUARD 81

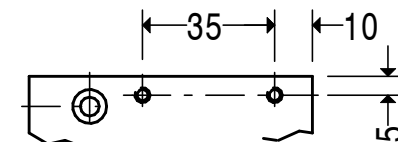


HARDWARE
 H81 M4 WING NUT 2 OFF
 H82 M4 X 10 SOCKET CAP SCREW 4 OFF
GUARD ASSEMBLY 8



HOLES A. 4.5 2 OFF B. M4 2 OFF
 MATERIAL
 32 X 32 X 3 (OR 4) STEEL ANGLE
 QTY 1 OFF

GUARD MOUNTING BRACKET 82



ADD TWO M4 HOLES
 VIEWED FROM BELOW
BOTTOM PLATE (11)
MODIFICATION