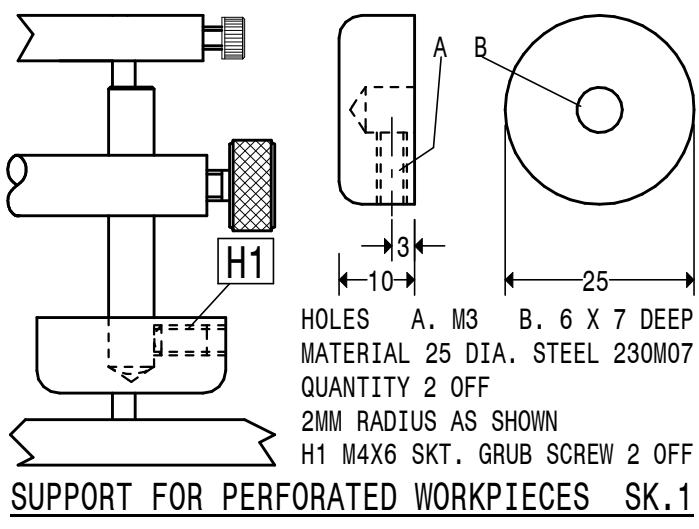


HOLES A 3.4
 B CB FOR M3 CAP HEAD SCREW
 C 5.5
 D CB FOR M5 CAP HEAD SCREW

MATERIAL 25 X 6 STEEL 070M20
 QTY 1 OFF

BASE **4**



HOLES A. M3 B. 6 X 7 DEEP
 MATERIAL 25 DIA. STEEL 230M07
 QUANTITY 2 OFF
 2MM RADIUS AS SHOWN
 H1 M4X6 SKT. GRUB SCREW 2 OFF

SUPPORT FOR PERFORATED WORKPIECES SK.1