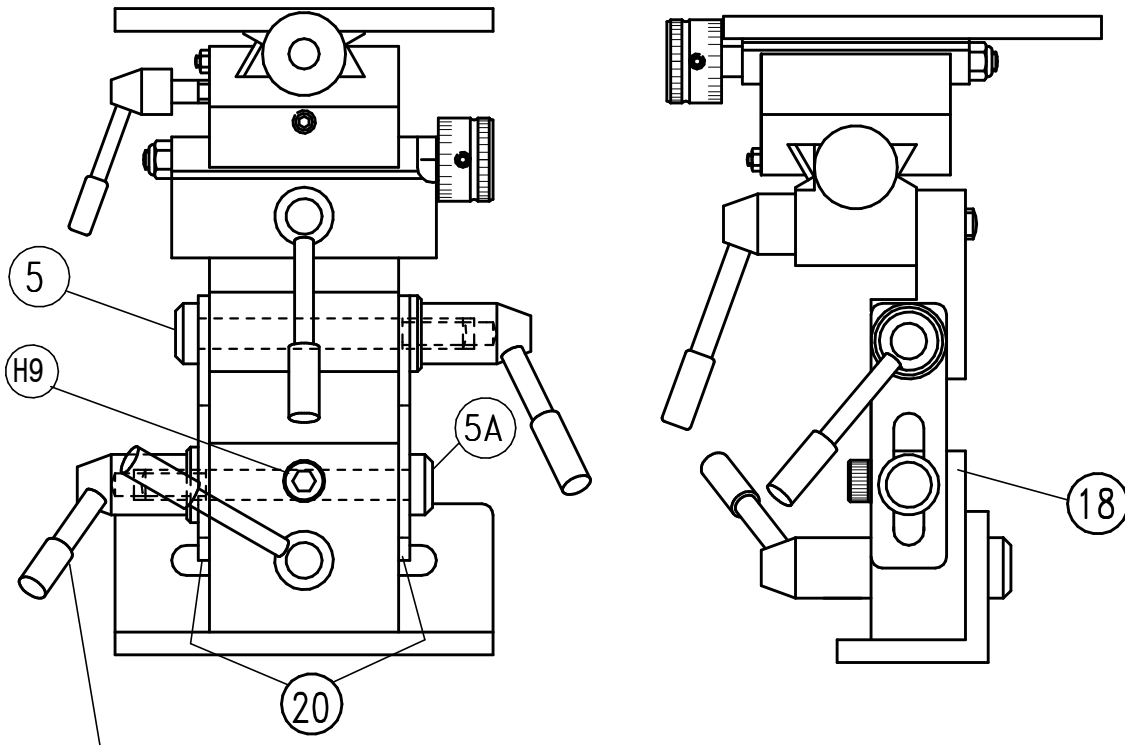


HARDWARE

H9 M3 X 16 SOCKET CAP SCREW 1 OFF



NOTE. HANDLE MOVED TO LEFT HAND SIDE

GRINDING REST, ASSEMBLY

