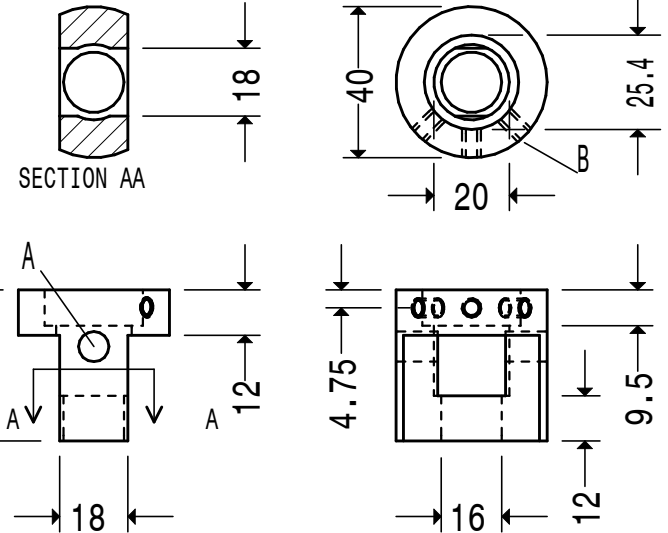


MATERIAL 32mm DIAMETER STEEL 230M07

HOLES A 8mm DIAMETER 2 OFF
B M5 3 OFF AT 45 DEGREES

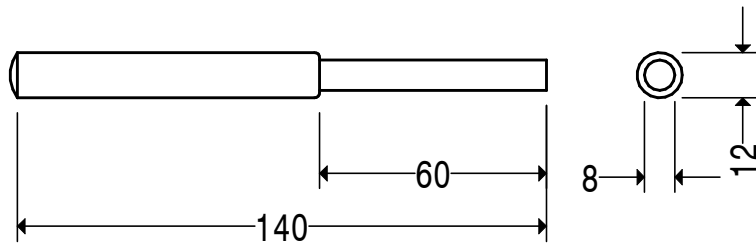
BODY 2 (13/16" DIE SIZE)



MATERIAL 40mm DIAMETER STEEL 230M07

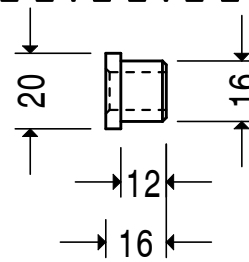
HOLES A 8mm DIAMETER 2 OFF
B M5 3 OFF AT 45 DEGREES

BODY 2 (1" DIE SIZE)



MATERIAL 12mm STEEL 230M07

HANDLE 1

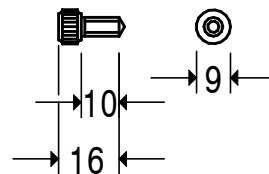


MATERIAL 20mm AND 16mm STEEL 230M07

MAKE DIAMETERS 16 AND 12 FOR SMALLER BUSHES

MAKE BORES TO SUIT THREAD DIAMETERS TO BE CUT.

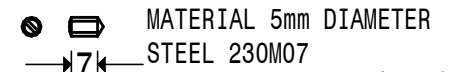
BUSH 5



MATERIAL 10mm DIAMETER
STEEL 230M07

THREAD M5

HEADED SCREW 4



MATERIAL 5mm DIAMETER
STEEL 230M07

THREAD M5

SLOTTED GRUB SCREW 3