

**HOLE**

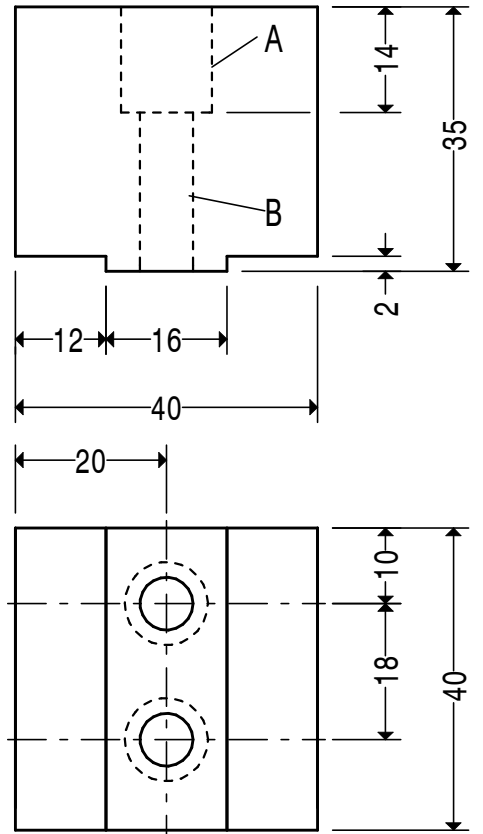
- A. CB FOR M6 CAP SCREW
- B. 6.6      C. 10.5
- D. 6.5      E. M6

MATERIAL 40 SQ. STEEL 230M07

QTY. SEE TEXT

**CLAMP JAW**

**1**



**HOLE**

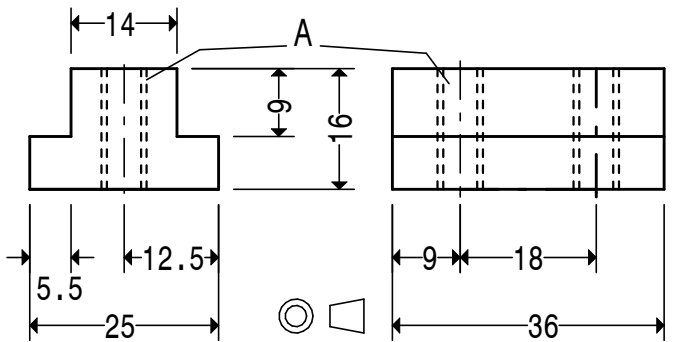
- A. CB FOR M6 CAP SCREW
- B. 6.6

MATERIAL 40 SQ. STEEL 230M07

QTY. SEE TEXT

**FIXED JAW**

**3**



HOLE A. M6 MATERIAL 25 X 16 STEEL 070M20

QTY. ONE PER JAW

**TEE NUT**

**2**