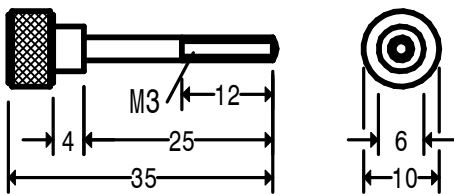


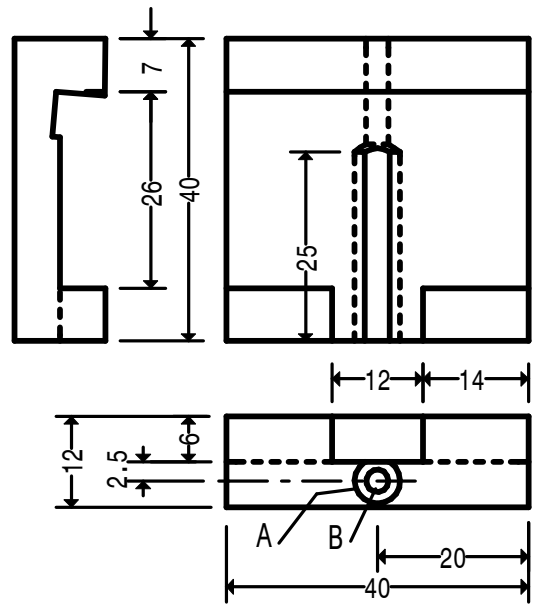
MARKING OUT GAUGE



MATERIAL 10 DIAMETER STEEL 230M07

QTY. 1 OFF

CLAMP SCREW   2

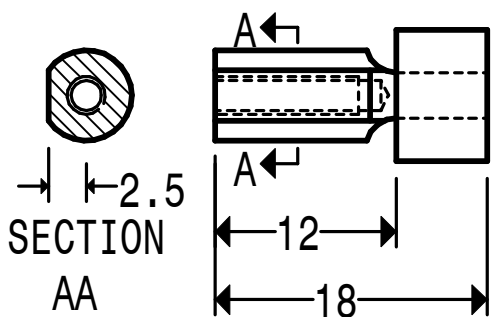


HOLE A. 6 B. 3.1

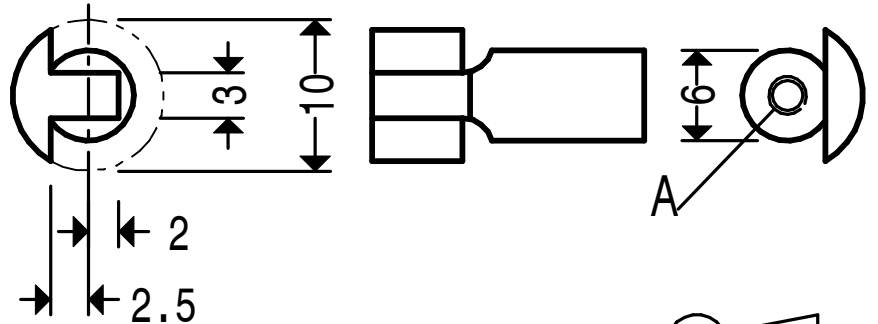
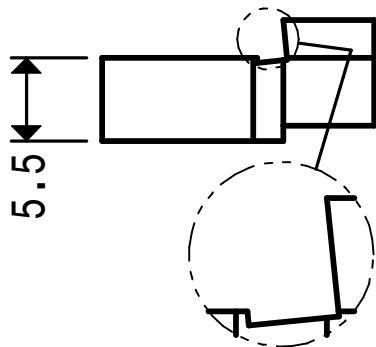
MATERIAL 40 X 12 STEEL 070M20

QTY. 1 OFF

BODY   1



SECTION AA



HOLE A M3 X 10 DEEP

MATERIAL

10 DIAMETER STEEL 230M07

QTY 1 OFF



CLAMP

3