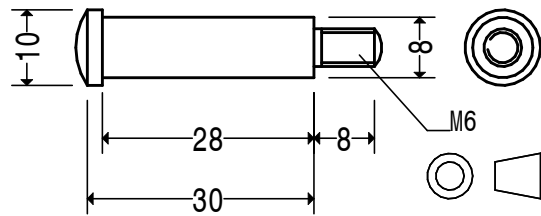
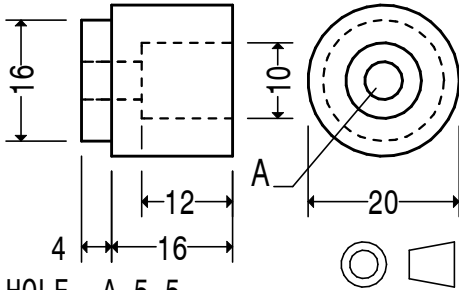


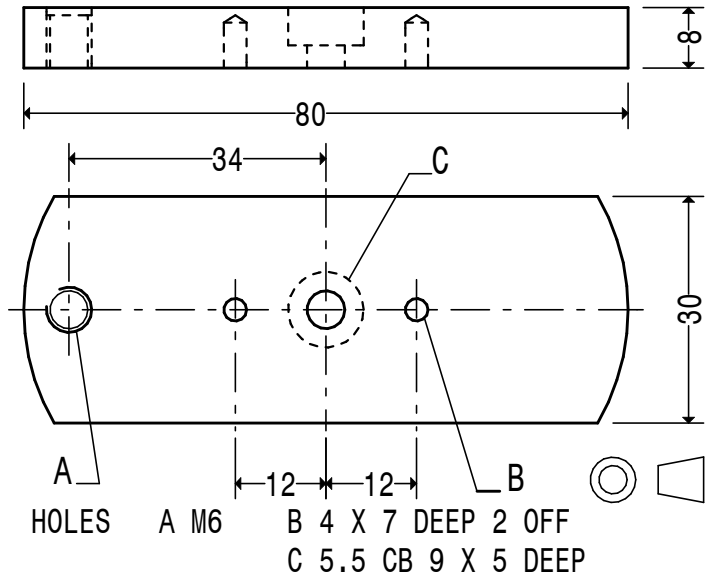
MATL. 10 DIA. STEEL 230M07
 QTY. 1 OFF
OPERATING HANDLE OUTER C7



MATL 10 DIA. STEEL 230M07
 QTY. 1 OFF
OPERATING HANDLE PIN C6

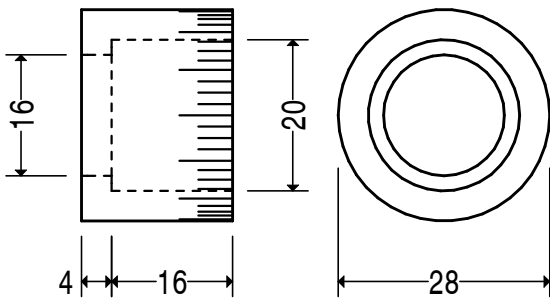


HOLE A 5.5
 MATL. 20 DIA. STEEL 230M07
 QTY. 1 OFF
LEADSCREW BUSH C10

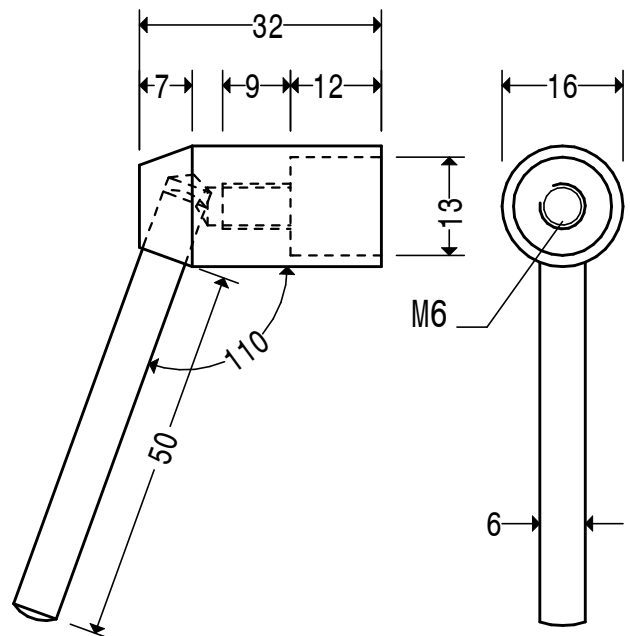


HOLES A M6 B 4 X 7 DEEP 2 OFF
 C 5.5 CB 9 X 5 DEEP

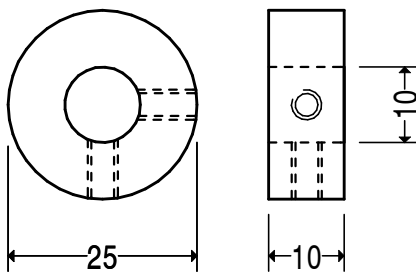
MATL. 30 X 8 STEEL 070M20 QTY. 1 OFF
OPERATING HANDLE ARM C8



MATL. 30 DIA. STEEL 230M07
 QTY. 1 OFF
 CALIBRATE TO SUIT PITCH OF
 CHOSEN LEADSCREW
LEADSCREW DIAL C9



MATERIALS 16 DIA. STEEL 230M07
 6 DIA. STEEL 230M07
 QTY. 2 OFF
COLUMN CLAMP HANDLE C5



HOLES M4 2 OFF
 MATL. 30 STEEL 230M07
 QTY. 1 OFF
LEADSCREW COLLAR C12