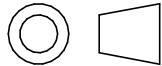


HOLES

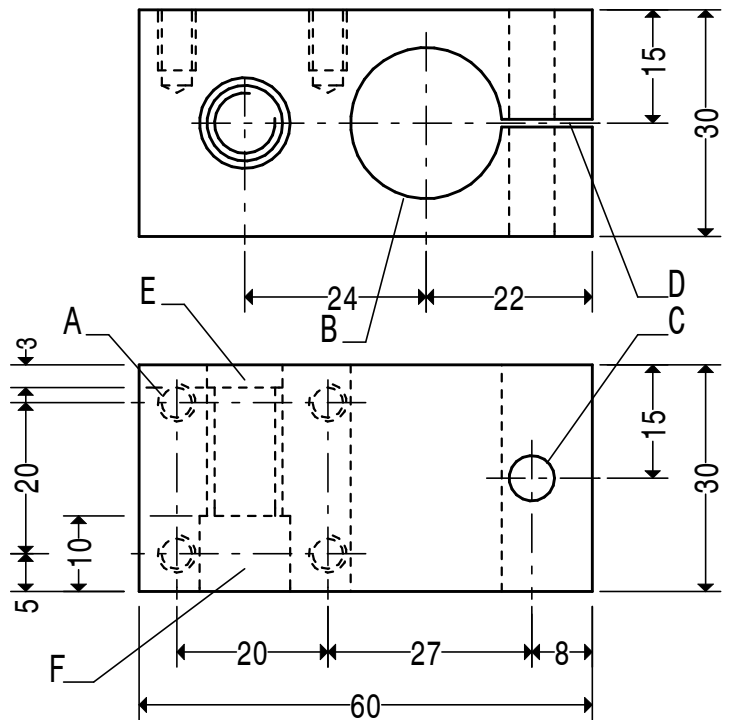
A M5 2 OFF B 20 C 7

D SLOT 1 WIDE



MATL. CAST IRON QTY. 3 OFF

SLIDER BLOCK C15



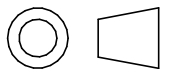
HOLES

A M5 4 OFF B 20 C 7

D SLOT 1 WIDE

E 10 X 2 SQUARE THREAD

F 12

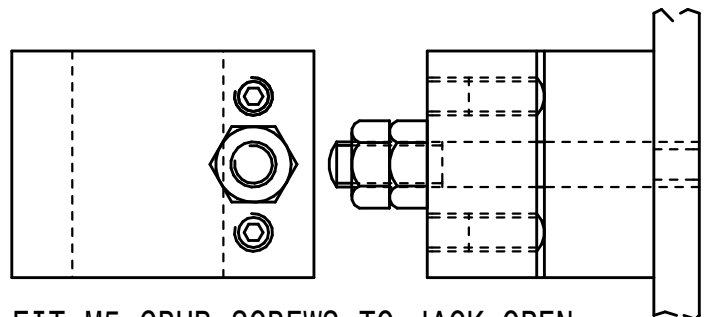


MATL. CAST IRON

QTY. 1 OFF

SLIDER BLOCK

C14



FIT M5 GRUB SCREWS TO JACK OPEN
BLOCK IF HOLE CLOSSES WHEN SLOT IS CUT.
STUD WITH CLOSING NUTS SHOULD STILL
BE FITTED AND ADJUSTED.

SLIDER BLOCK

WITH JACKING SCREWS

SK1