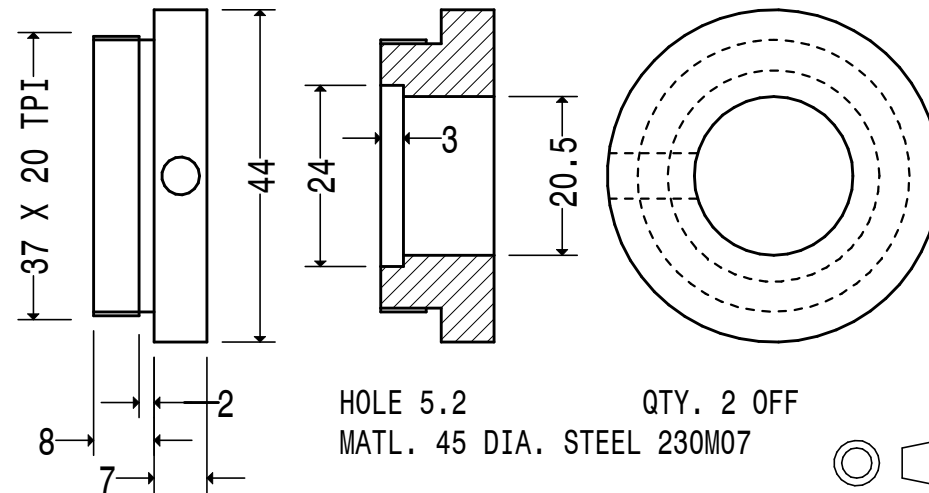


HOLE 1 HOLE 5.2 QTY. 3 OFF

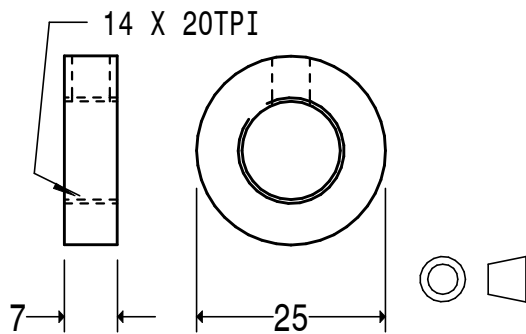
MATL 30 DIA. STEEL 230M07

BEARING ADJUSTMENT NUTS S4



HOLE 5.2 QTY. 2 OFF  
MATL. 45 DIA. STEEL 230M07

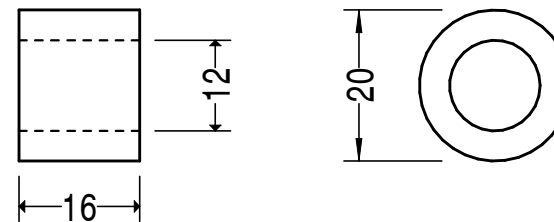
BEARING CLAMP NUTS S3



HOLE 1 5.2 QTY. 2 OFF

MATL. 25 DIA. STEEL 230M07

BEARING CLAMP NUTS S5



MATL. 20 DIA. STEEL 230M07

12mm TO BE CLOSE SLIDING FIT  
ON SPINDLE

QTY. 1 OFF.

BEARING ADJUSTMENT TUBE S6