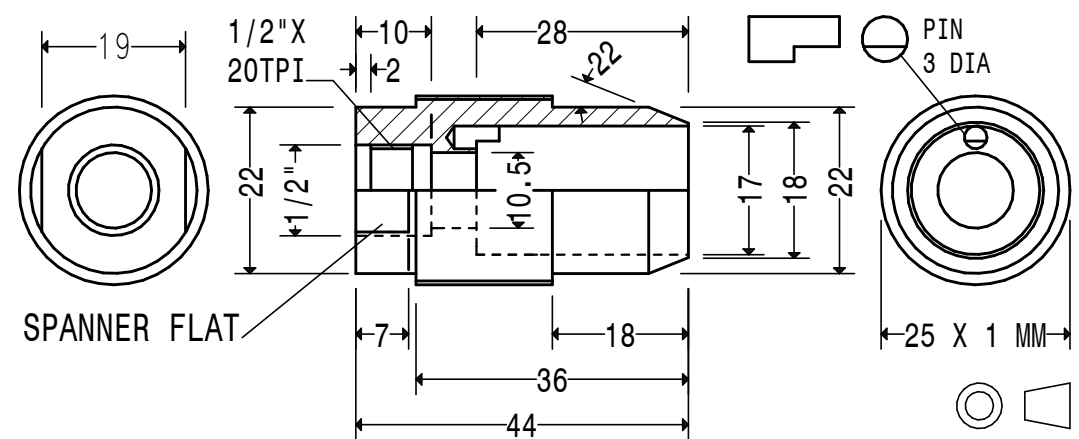

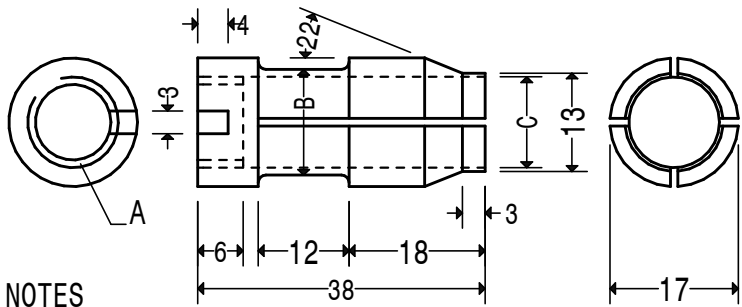



MATL. 40 DIA. STEEL 230M07 QTY. 1 OFF
COLLET CLOSING RING  **L2**

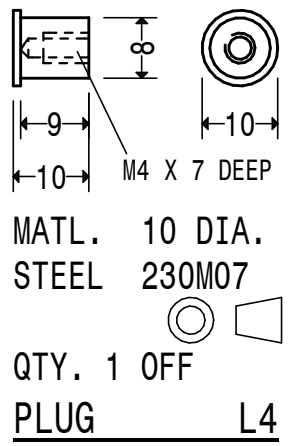



MATL. 25 AND 3 DIA. STEEL 230M07 QTY. 1 OFF
ADAPTER  **L1**

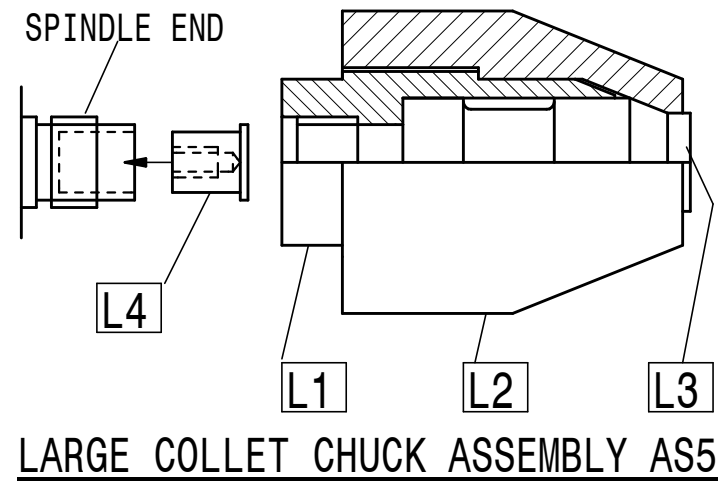


- NOTES
- A. 20 TPI WHITWORTH FORM THREAD TO SUIT SHANK DIAMETER, METRIC AND IMPERIAL.
 - B. 2MM GREATER THAN SHANK DIAMETER.
 - C. DIAMETER TO SUIT SHANK.

MATL. 20 DIA. STEEL 230M07
 QTY. ONE PER CUTTER SHANK SIZE
COLLETS  **L3**



MATL. 10 DIA. STEEL 230M07
 QTY. 1 OFF
PLUG  **L4**



LARGE COLLET CHUCK ASSEMBLY AS5

