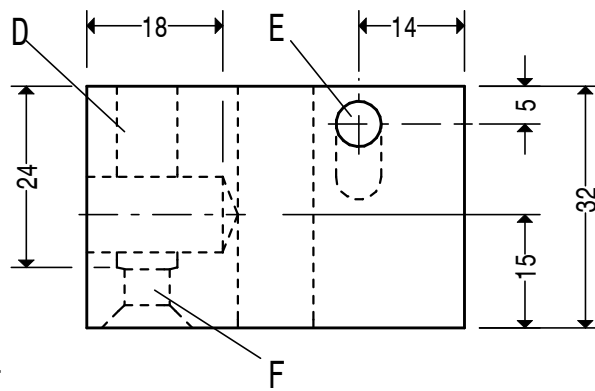


- A. M3 X 8 DEEP, 2 OFF
- B. TO SUIT TOP SLIDE STUD
- C. 10
- D. 8
- E. 5.5 X 45 DEEP, SEE NOTE
- F. 6, CSK TO 12 DIAMETER

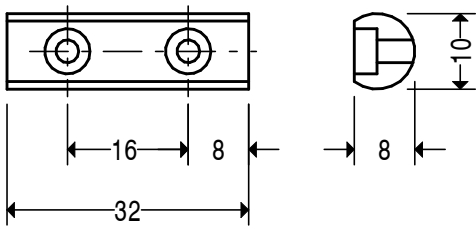
MATL 50 SQUARE STEEL 230M07

QTY 1 OFF

NOTE. HOLE E IS FOR STORING THE TOMMY BAR. THE ANGLE IS UNIMPORTANT BEING THERE JUST TO STOP IT FALLING OUT DUE TO VIBRATION.



BODY **2**

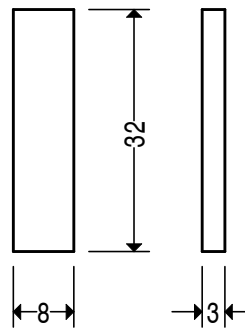


HOLES, DRILL AND COUNTERBORE 3 DEEP FOR M3 CAP HEAD SCREWS.

MATL. 12 DIA. STEEL 230M07

QTY. 1 OFF (OR 2 OFF, SEE TEXT)

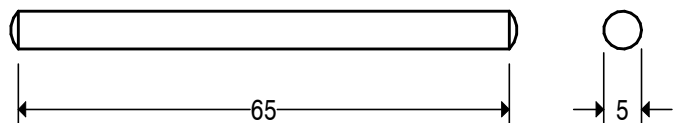
LOCATING KEY **1**



MATL.
8 X 3 STEEL 070M20

QTY. 1 OFF
(OR TWO OFF SEE TEXT)

SPACER **4**



MATL. 5 DIA STEEL 230M07 QTY. 1 OFF

TOMMY BAR **6**