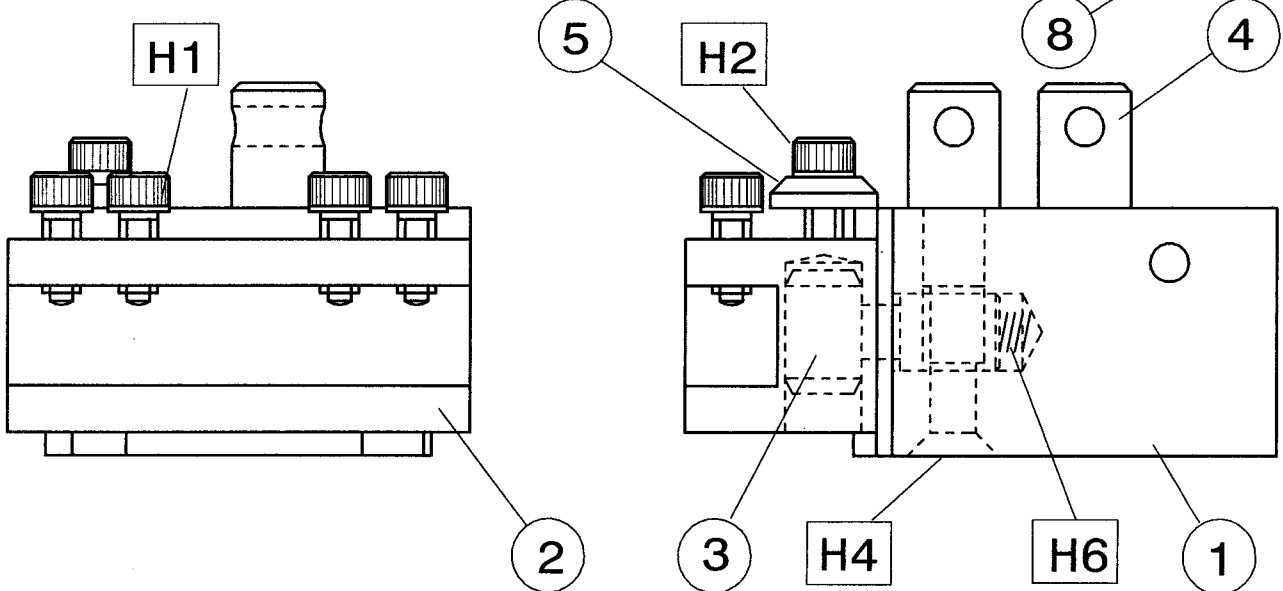
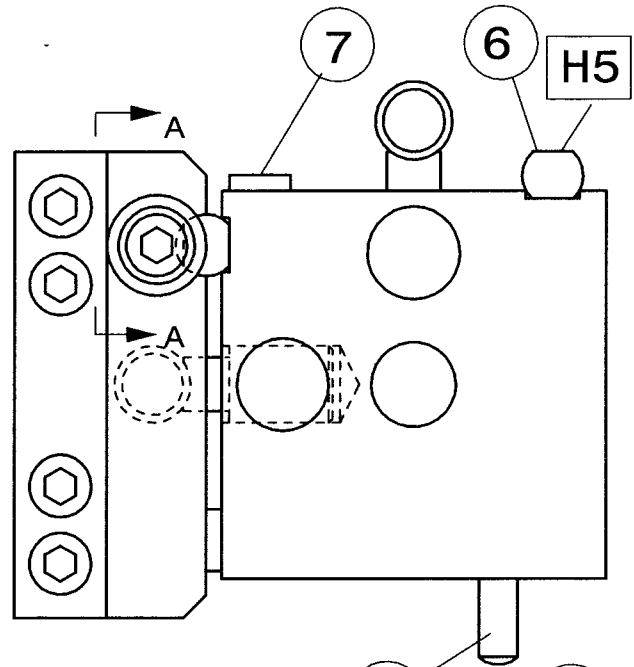


VIEW AA

- H1. M5 X 10 SOCKET CAP SCREW
- H2. M5 X 16 SOCKET CAP SCREW
- H3. M5 X 6 SOCKET GRUB SCREW
- H4. M5 X 6 SOCKET CSK SCREW
- H5. M3 X 8 SOCKET CAP SCREW
- H6. SMALL COMPRESSION SPRING



NOTES.

1. FIT A SMALL DISC OF COPPER UNDER SCREW H3 TO AVOID DAMAGE TO SCREW H2.
2. FIX SPACERS (7) TO BODY (1) USING SUITABLE ADHESIVE.

QUICK CHANGE LATHE TOOL POST.