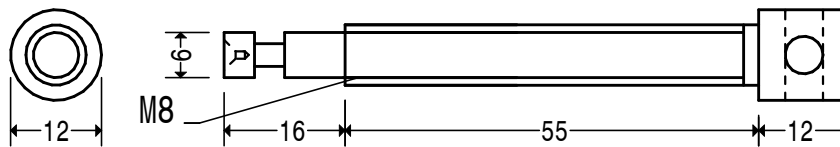
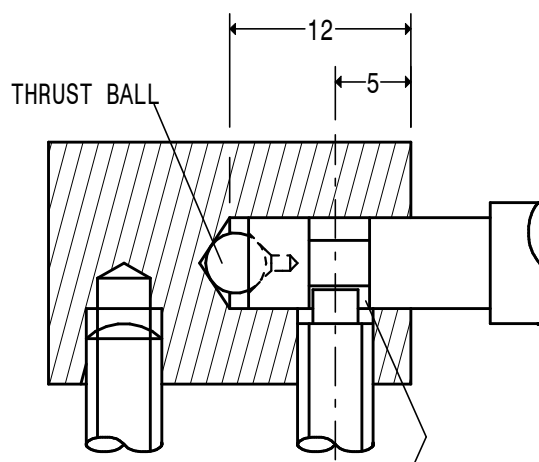
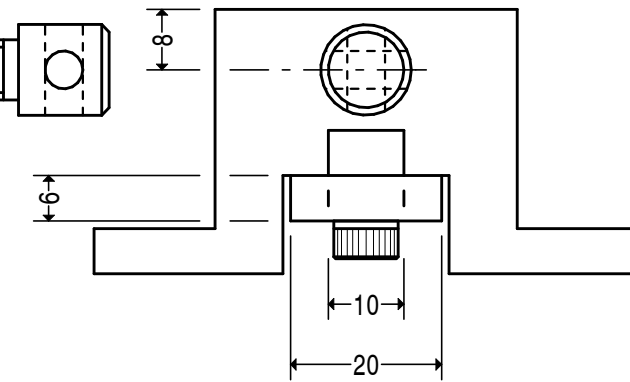


14 16 55



M8

6 16 55 12



THRUST BALL

CLEARANCE ON THIS SIDE OF THE SPIGOT.
MAKE SPIGOT 4mm DIAMETER

MOVING JAW DETAIL

SMALL VICE MAIN DIMENSIONS