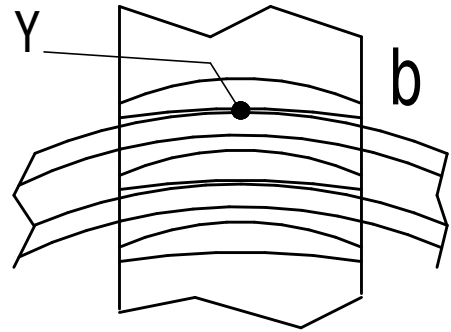
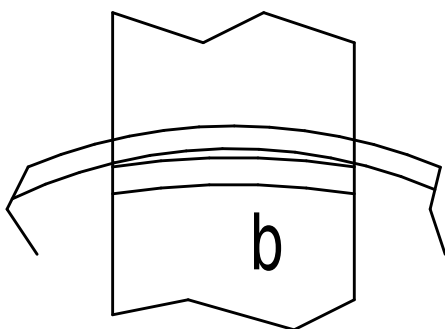
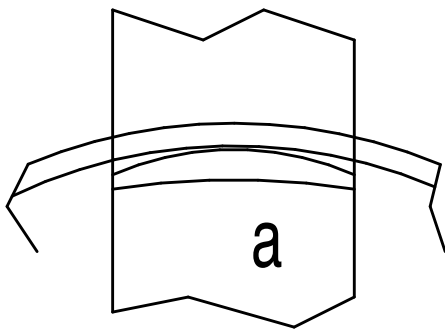


CLOSING

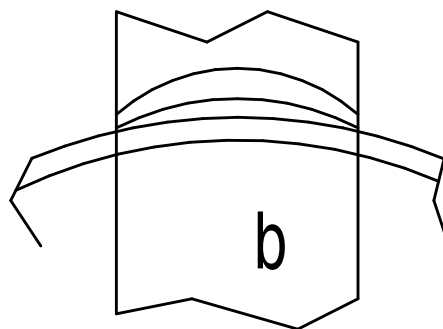
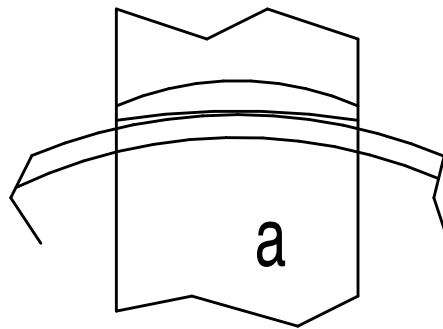


OPENING
MATING POINTS

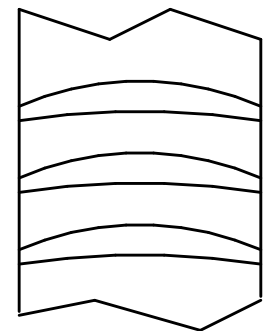
SK.5



CLOSING SK.2



OPENING SK.3



TOOTH FORM
SIMPLIFIED

SK.4