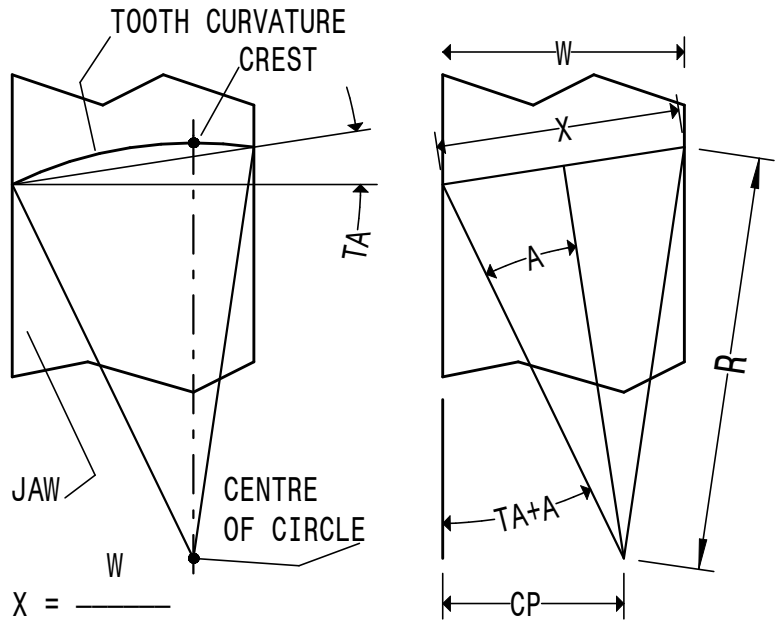


TOOTH FORM SK.7



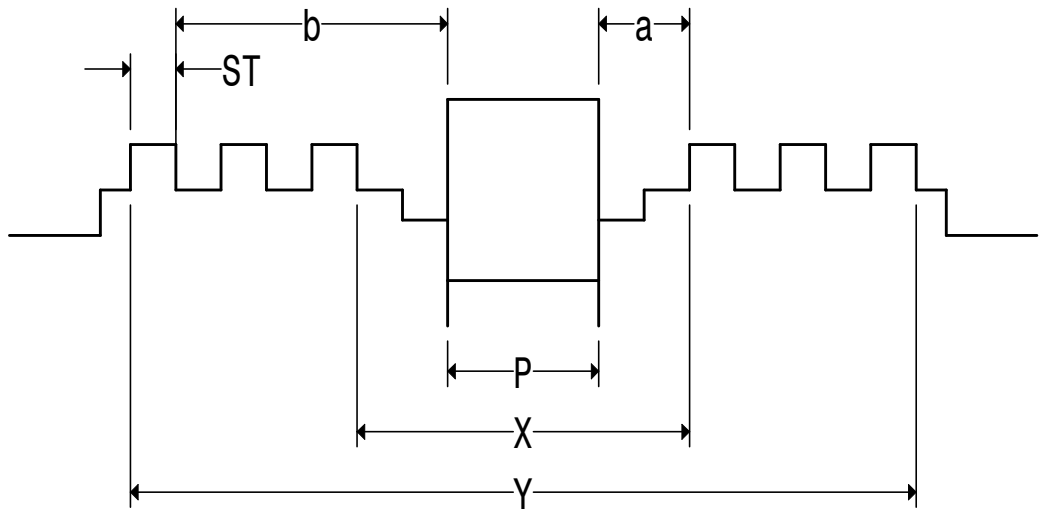
$$X = \frac{W}{\cos TA}$$

$$\sin A = \frac{X}{2R}$$

$$CP = R(\sin[A + TA])$$

- A ANGLE
- CP CREST POSITION
- R JAW RADIUS
- TA JAW TOOTH ANGLE
- W WIDTH OF JAW TOOTH
- X LENGTH BETWEEN JAW TIPS

CREST POSITION SK.8



- P PLUG DIAMETER
- X SCROLL INNER DIAMETER
- Y SCROLL OUTER DIAMETER
- a PLUG TO INNER SCROLL DIMENSION
- b PLUG TO OUTER SCROLL DIMENSION
- ST SCROLL THICKNESS

$$Y = P + 2(b + ST) \quad X = P + 2a$$

SCROLL DIAMETERS SK.6