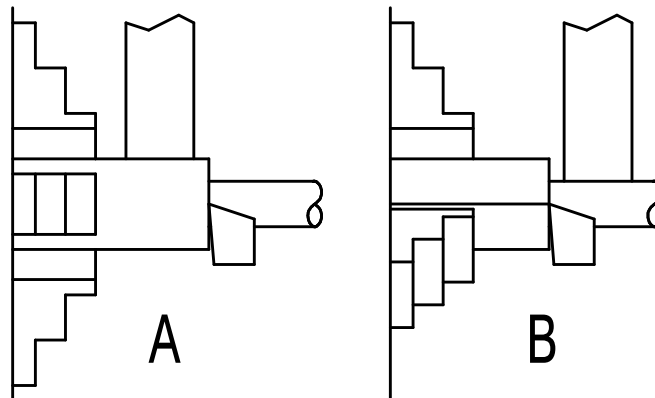


TASK FOR THE FIXED STEADY

SK.2



A. THE TRAVELLING STEADY IN FRONT OF THE CUTTER IS THE PREFERRED METHOD FOR ROUND WORKPIECES.

B. FOR SQUARE OR HEXAGONAL PARTS THE STEADY MUST FOLLOW THE WORKPIECE

SETTING THE TRAVELLING STEADY SK. 3