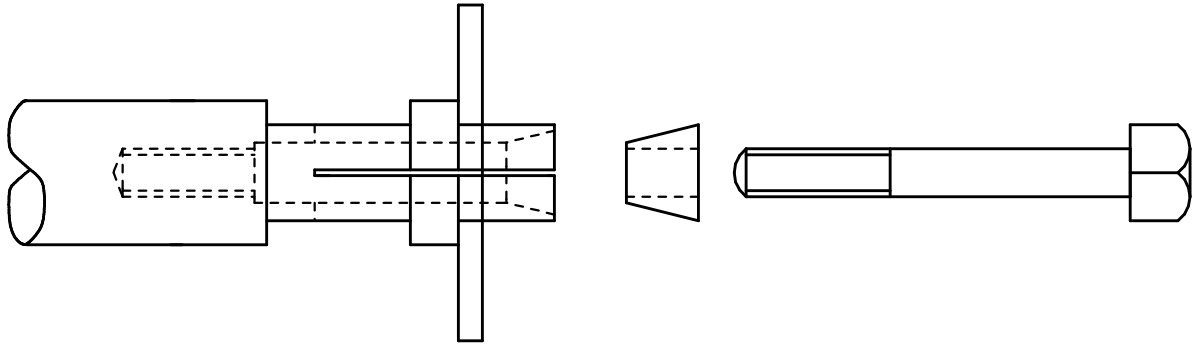


TYPICAL SPLIT MANDREL SK. 3



SPLIT MANDREL WITH FLANGE  
FOR MACHINING NARROW PARTS SK. 4.