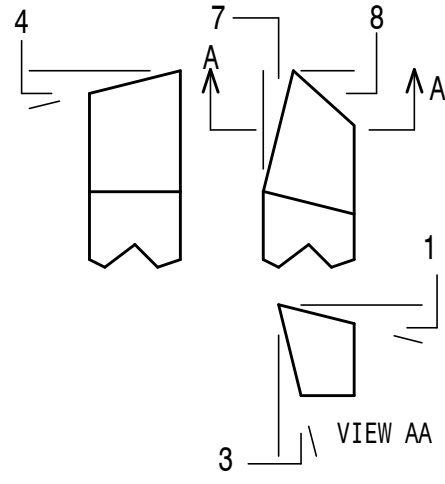
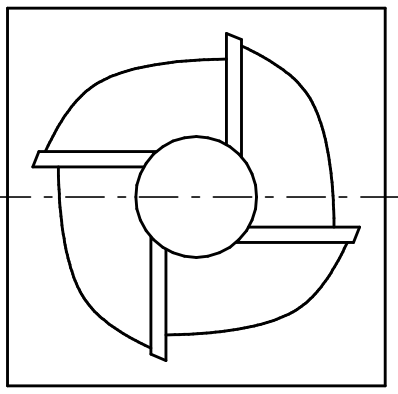


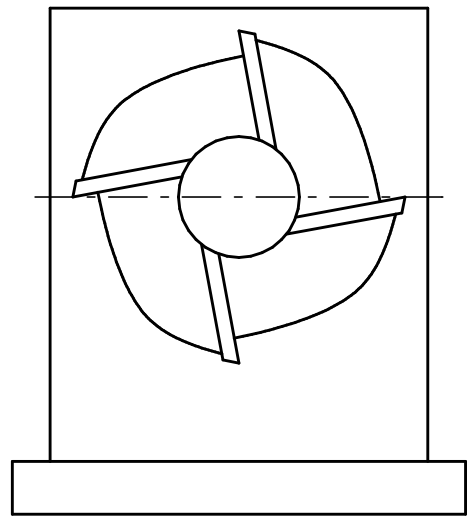
KNIFE TOOL SK.4



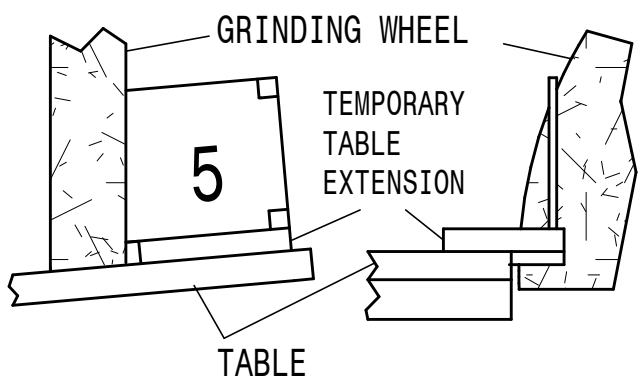
ALTERNATIVE KNIFE TOOL SK.5



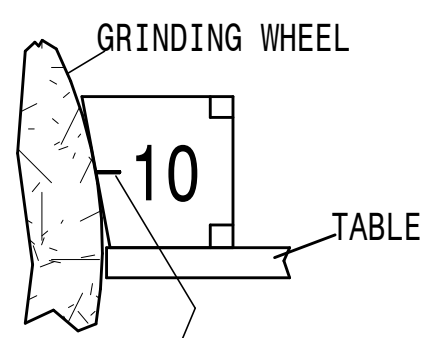
WHEN SHARPENING THE END CUTTING EDGES EACH ONE MUST BE PARALLEL WITH THE HOLDER'S EDGES.
END MILL SHARPENING SK.7



WHEN SHARPENING THE SPIRAL EDGES OPPOSITE TIPS MUST BE PARALLEL WITH THE BASE.
END MILL SHARPENING SK.8



SETTING TABLE ANGLE SK.6



MARK GAUGE AT HEIGHT AT WHICH GRINDING IS TO TAKE PLACE
SETTING TABLE ANGLE SK.9