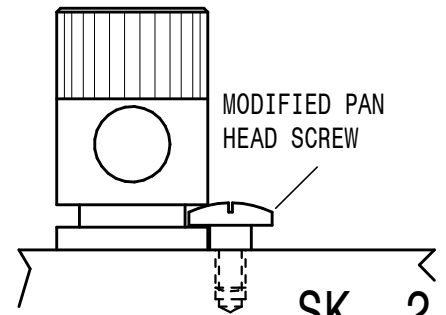
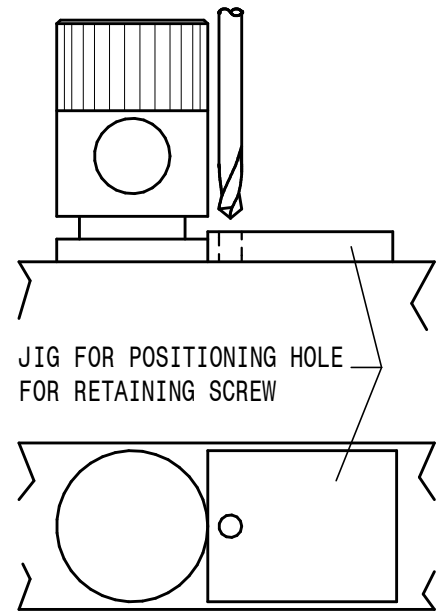


A	B	C	D	E	F	ALT. F
160	75	130	110	18SQ.	M8	5/16" X 32
135	62	110	95	16SQ.	M8	5/16" X 32
110	50	90	80	12SQ.	M6	1/4" X 40
85	38	70	60	10SQ.	M5	3/16" X 40
56	25	50	40	8SQ.	M4	5/32 X 40

DIMENSION C2 = C + E

NOTE. MAKE BLIND HOLE DEPTH EQUAL TO HALF THE THREAD DIAMETER.

SK. 1



SK. 2