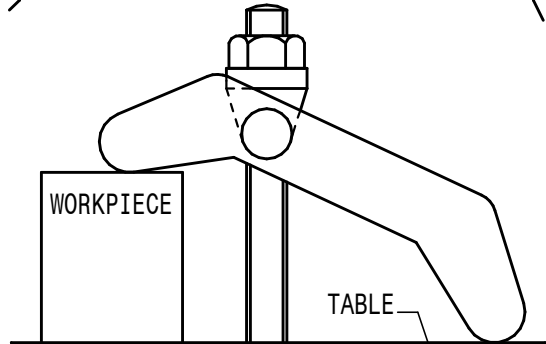


WORKPIECE

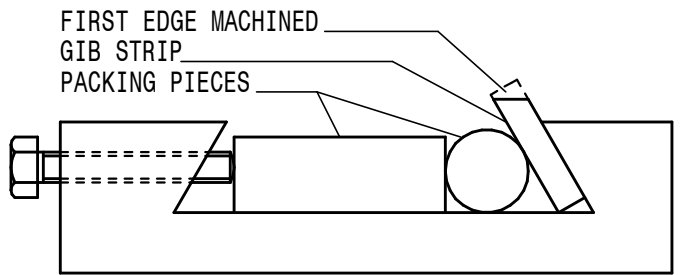
TABLE



WORKPIECE

TABLE

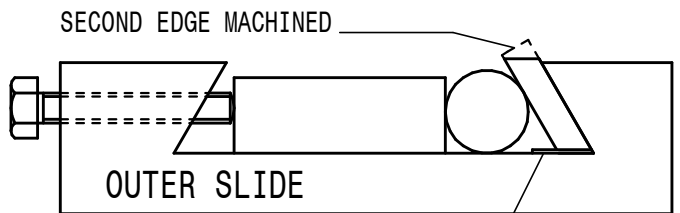
STEPLESS CLAMPS SK. 1



FIRST EDGE MACHINED

GIB STRIP

PACKING PIECES



SECOND EDGE MACHINED

OUTER SLIDE

PACKING TO PERMIT SECOND EDGE  
TO BE MACHINED WITHOUT THE  
CUTTER CONTACTING THE OUTER SLIDE

METHOD OF MACHINING GIB STRIP EDGES SK. 2