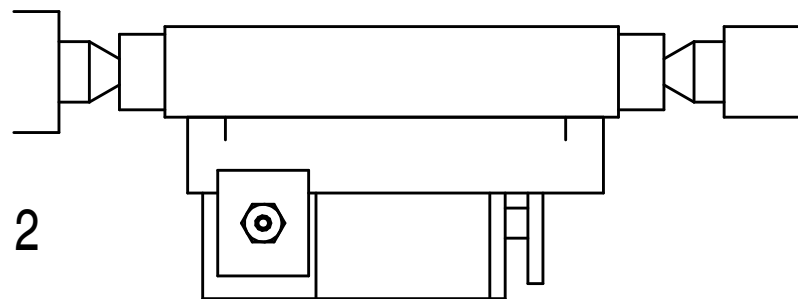
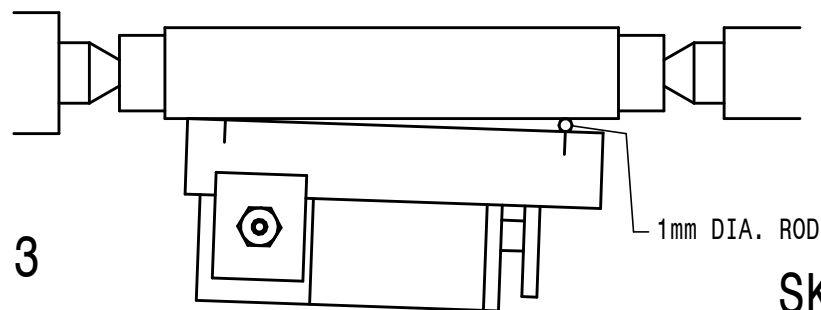


SET TOP SLIDE PARALLEL WITH THE LATHE'S AXIS

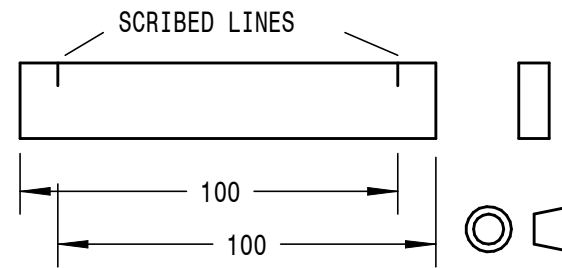


FIT SETTING PLATE TO TOP SLIDE AND AGAINST TEST BAR



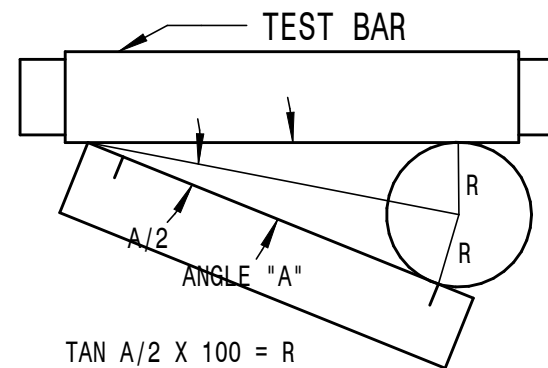
SWING TOP SLIDE, USING 1mm ROD AT 100mm MARK TO SET ANGLE

SETTING TOP SLIDE TO AN ANGLE OF 1 IN 100



OTHER DIMENSIONS TO SUIT MATERIAL
AVAILABLE SUGGESTED LENGTH 110mm

SETTING PLATE SK. 2



$$\tan A/2 \times 100 = R$$

$$\text{DIAMETER} = 200 \times \tan A/2$$

SK. 3

FOR OTHER ANGLES, CALCULATING
ROD DIAMETER FOR ANGLE "A"